

Interfacing with the UltraVolt D Series of Microsize High Voltage Power Supplies

Introduction

In this technical note, we provide the connections, pins, and leads for the UltraVolt D Series of microsize high-voltage power supplies. This document augments the datasheet. A complete datasheet can be found at advancedenergy.com.

The D Series microsize units deliver 0 to 1kV through 0 to 6kV in a 1, 2, 4 or 6W miniature package. The input voltages available are 15 ± 1.5 VDC and 24 ± 2 VDC depending on type.r.



ULTRAVOLT D SERIES

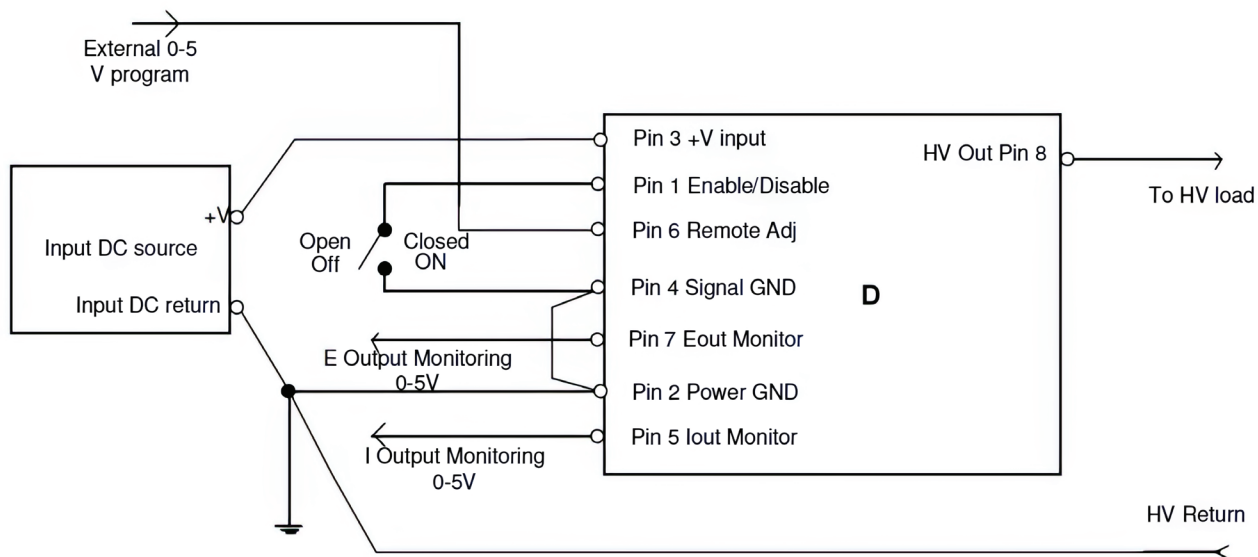


Figure 1: D Series Functional Diagram

Connections Overview

Pin 1, Enable / Disable:

This pin is used to inhibit the output voltage using a logic signal. A short or zero logic will turn the unit ON. An open collector logic gate is required; it should be able to sink at least 0.5mA. An internal pull-up resistor is provided. When pin 1 is left open or at logic High the output will turn OFF. By default the unit is OFF. If this function is not used, Pin 1 should be connected to Pin 4 (or system return); otherwise no output voltage will be available.

Pin 2, Input Power Ground Return:

This pin is the return to the input DC source. The connection to this pin is also used in the system as the HV return.

Pin 3, Positive power input:

This pin is the positive power input (15 or 24VDC) coming from the system AC/DC, DC/DC or Battery low-voltage power source. The input source must be capable of providing at least 120% of the maximum input current required by the D Series unit at full load (see [datasheet](#) for more details).

Pin 4, Signal Ground Return:

This pin is used as the return for the voltage control signal, voltage monitor signal, and current monitor signal. It is provided as a separate ground for low-power signals in order to avoid any interference with the HV Return and Input DC Return. Do not use this pin as a direct connection to the HV Return. This pin is internally connected to Power GND (Input Power Ground return).

Pin 5, Output Current (I_{out}) monitor:

The analog buffered output signal, 0-5VDC, is proportional with the output current draw (Pin 5 output impedance = $1k\Omega$). The signal goes from zero to five volts for output currents from zero to maximum (see [datasheet](#) for I_{out} max).

Accuracy of the signal is $\pm 2\%$.

Pin 6, Control Input (Remote Adjust):

This pin allows the control of the high-voltage output by a low-voltage signal. Using a 0 to 5V $\pm 0.1\%$ positive DC voltage, the high voltage can be controlled from 0 to 100%. The control 5V signal source can come from a DAC, op amp, etc. Pin 6 input impedance is $94k\Omega$. This signal is clamped to 5.3V for protection against overdrive. When zero volts is provided (or pin 6 is not connected), no output voltage will be present.

Pin 7, Output Voltage Monitor:

This pin provides a low-voltage 0 to 5V signal proportional with the HV output voltage. The +5V level equals 100% output voltage (see [datasheet](#) for Max E_{out}). The signal is positive in reference to Signal Ground regardless of the output-voltage polarity. This signal is buffered with an output impedance of $1k\Omega$.

The accuracy of the voltage monitor is $\pm 0.2\%$.

Pin 8, High Voltage Output:

This is the high-voltage output (up to 6kV depending on the model). The pin is located farther away from the other seven pins in order to provide the proper clearance for the high-voltage circuit. When designing a system PC board, adequate creepage and clearance spacing must be observed.



For international contact information,
visit advancedenergy.com.

powersales@aei.com
productsupport.ep@aei.com
+1 888 412 7832

ABOUT ADVANCED ENERGY

Advanced Energy (AE) has devoted more than four decades to perfecting power for its global customers. We design and manufacture highly engineered, precision power conversion, measurement and control solutions for mission-critical applications and processes.

Our products enable customer innovation in complex applications for a wide range of industries including semiconductor equipment, industrial, manufacturing, telecommunications, data center computing, and medical. With deep applications know-how and responsive service and support across the globe, we build collaborative partnerships to meet rapid technological developments, propel growth for our customers, and innovate the future of power.

PRECISION | POWER | PERFORMANCE | TRUST

Specifications are subject to change without notice. ©2025 Advanced Energy Industries, Inc. All rights reserved. Advanced Energy®, AE®, ALTA™, and Ascent® are U.S. trademarks of Advanced Energy Industries, Inc.