

# SL POWER MENB1010 Series

10 W Single Output External Power Adapter  
Medical Grade



Advanced Energy's SL Power MENB1010 series of desktop AC-DC external power adapter comprises four output models. All models feature medical safety approvals and accept a universal input of 100 to 240 VAC. MENB10 series power adapters provide up to 10 Watts of output power with Impact-Resistant Polycarbonate enclosure and are ideal for applications that are used in environments where AC mains power may be noisy or unstable and equipment shutdown is not an option.

## SPECIAL FEATURES

- Approved to EN/IEC/UL60601-1, 3rd edition with isolation levels which satisfy the 2 MOPP requirements
- Desktop Wall Plug Styles
- Up to 10 W of AC-DC Power
- Impact-Resistant Polycarbonate Enclosure
- Meets EISA2007, CEC Efficiency Level V, EU (EC) No 278/2009 Phase II
- No load Power Consumption <0.3W
- 5V to 24V Single Output Models, up to 12W
- >100,000 Hours MTBF
- 3 Years Warranty
- Limited Power Source
- Regulated Output with Low Ripple
- RoHS Compliant

## SAFETY

- IEC/EN/CSA/UL60601-1, 3.2 edition
- CE Mark

## AT A GLANCE

### Total Power

10 Watts

### Input Voltage

100 to 240 VAC

### # of Outputs

Single



**ELECTRICAL SPECIFICATIONS**

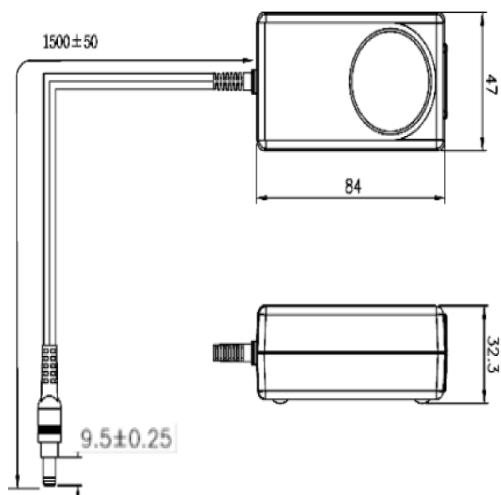
Input	
Input Range	100 to 240 VAC, ±10%, 47 to 63 Hz, 1Ø
Input Current	0.27 A @ 100 VAC
Inrush Current	60 A max., cold start @ 264 VAC input
Input Fuses	Internal Primary Current Fuse provided (1A, 250VAC rated)
Efficiency	Meets EISA2007, CEC Efficiency Level V, EU (EC) No 278/2009 Phase II
No Load Input Power	<0.3 W
Topology	Switching – Fixed Frequency Flyback
Output	
Output Voltage	See models chart on page 4
Output Power	See models chart for specific voltage model ratings
Turn On Time	Less than 1 sec @ 115 VAC, full load
Hold Up Time	18 mS min. @ 115Vac, 60 mS min. @ 230 Vac
Ripple and Noise	1% pk-pk max., 20MHz BW
Line & Load Voltage Regulation	Line: +/- 1%, Load: +/-5%
Minimum Load	Not required
Output Cable	#20AWG (UL2468), 1500mm, 2 conductor
Output Connector	2.5mm barrel type (Ault #3), center contact (+) Other options available, contact the factory for details
Protection	
Overload Protection	Hiccup Mode
Short Circuit Protection	Hiccup Mode
EMC Specifications	
Safety Standards	Approved to EN/IEC/CSA/UL60601-1, 3.2 Edition
Conducted Emissions	EN55011 Class B, FCC Part 15, Class B.
Radiated Emissions	EN55011 Class B, FCC Part 15, Class B.
Line Frequency Harmonics	EN61000-3-2, Class A
Voltage Fluctuations/Flicker	EN61000-3-3
Static Discharge Immunity	EN61000-4-2, 6kV Contact Discharge, 8kV air discharge
Radiated RF Immunity	EN61000-4-3, 3V/m
EFT/Burst Immunity	EN61000-4-4, 2kV/5kHz.
Line Surge Immunity	EN61000-4-5, 1kV differential, 2kV common-mode
Conducted RF Immunity	EN61000-4-6, 3Vrms
Power Frequency Magnetic Field Immunity	EN61000-4-8, 3A/m
Voltage Dip Immunity	EN61000-4-11, Criteria A
Isolation	
Isolation	Input to Output: 4000 VAC Input to Ground: 1500 VAC Output to Ground: 500 VAC

## ENVIRONMENTAL SPECIFICATIONS

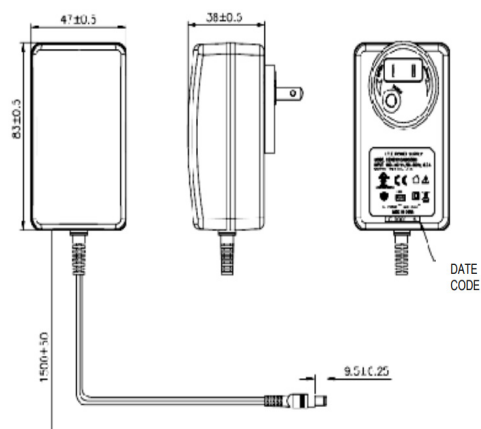
Operating Temperature	0°C to 40°C. no derating
Storage Temperature	-30°C to +85°C
Relative Humidity	5% to 95%, non-condensing
Weight	110 grams
Case Material	Black 94V-0 Polycarbonate
Altitude	Operating: -500 to 1000 ft Non-operating: -500 ft to 40000 ft
MTBF	>100,000 hours (calculated)
Dimensions (W x L x H)	84mm x 47mm x 32mm

Note:  
All specifications are typical at nominal input, full load, at 25°C ambient unless noted.

## MECHANICAL DRAWING



Desktop Style



Wall-Plug Style

ORDERING INFORMATION

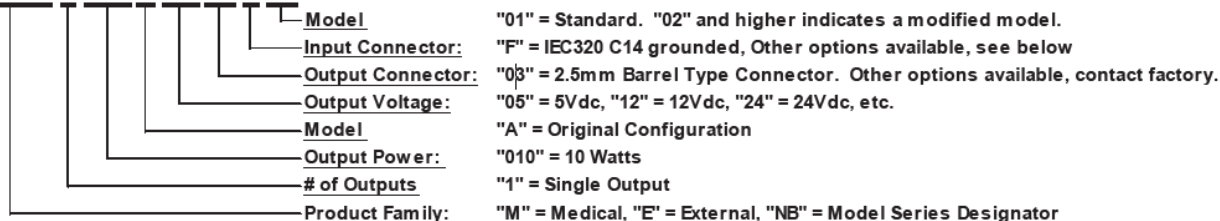
Model Number	Volts	Output Current	Output Power	Ripple & Noise <sup>1</sup>	Line Regulation	Load Regulation
MENB1010A0503F01	5.0 V	2.00 A	10.0 W	50mV pk-pk	± 1%	± 5%
MENB1010A0603F01	6.0 V	2.00 A	12.0 W	60mV pk-pk	± 1%	± 5%
MENB1010A0703F01	7.5 V	1.60 A	12.0 W	75mV pk-pk	± 1%	± 5%
MENB1010A0903F01	9.0 V	1.10 A	10.0 W	90mV pk-pk	± 1%	± 5%
MENB1010A1203F01	12.0 V	1.00 A	12.0 W	120mV pk-pk	± 1%	± 5%
MENB1010A1503F01	15.0 V	0.80 A	12.0 W	150mV pk-pk	± 1%	± 5%
MENB1010A1603F01	16.0 V	0.75 A	12.0 W	160mV pk-pk	± 1%	± 5%
MENB1010A1803F01	18.0 V	0.67 A	12.0 W	180mV pk-pk	± 1%	± 5%
MENB1010A2403F01	24.0 V	0.50 A	12.0 W	240mV pk-pk	± 1%	± 5%
MENB1010A4803F01	48.0 V	0.25 A	12.0 W	480mV pk-pk	± 1%	± 5%

Notes:

1. Part numbers above include #3 output connector and IEC320 C14 grounded input receptacle. See below for other options.

Model Number Key

**MENB 1 010 A VV 03 F 01**



AC Input Receptacle Options						Output Connector		
Desktop			Wall-Plug					
IEC320 - C14 Class I Grounded (F)	IEC320 - C18 Class II Ungrounded (Q)	IEC320 - C8 Class II "Shaver" (N)	N. America Japan Interchangeable (B)	N. America Japan Fixed (C)	Europe Fixed (M)	United Kingdom Fixed (G)	Australia Fixed (H)	1. Ault #3 Connector, center contact(+). 2. Connector is Switchcraft 760 plug or equivalent. Mating connector is Switchcraft 712A or equivalent. 3. Other connector options are available. Contact your local SL Power Representative for details.

Notes: 1. For desktop options, choose applicable letter above.

2. For Wall-Plug options, choose the applicable letter above and the unit will be fitted with the receptacle chosen. The N. A. blade version (B) will be an interchangeable blade. The other options (C), (M), (G), and (H) will be fixed blades molded in the case.

3. Blade Kit is available which will include one each of a EU, UK, and Australian blade. Kit part # is KT1027K. These can be used with the (B) version, to allow blades to be changed.



For international contact information,  
visit [advancedenergy.com](https://www.advancedenergy.com).

[powersales@aei.com](mailto:powersales@aei.com) (Sales Support)  
[productsupport.ep@aei.com](mailto:productsupport.ep@aei.com) (Technical Support)  
+1 888 412 7832

## ABOUT ADVANCED ENERGY

Advanced Energy (AE) has devoted more than four decades to perfecting power for its global customers. AE designs and manufactures highly engineered, precision power conversion, measurement and control solutions for mission-critical applications and processes.

Our products enable customer innovation in complex applications for a wide range of industries including semiconductor equipment, industrial, manufacturing, telecommunications, data center computing, and medical. With deep applications know-how and responsive service and support across the globe, we build collaborative partnerships to meet rapid technological developments, propel growth for our customers, and innovate the future of power.

**PRECISION | POWER | PERFORMANCE | TRUST**

---

Specifications are subject to change without notice. Not responsible for errors or omissions. ©2024 Advanced Energy Industries, Inc. All rights reserved. Advanced Energy®, and AE® are U.S. trademarks of Advanced Energy Industries, Inc.